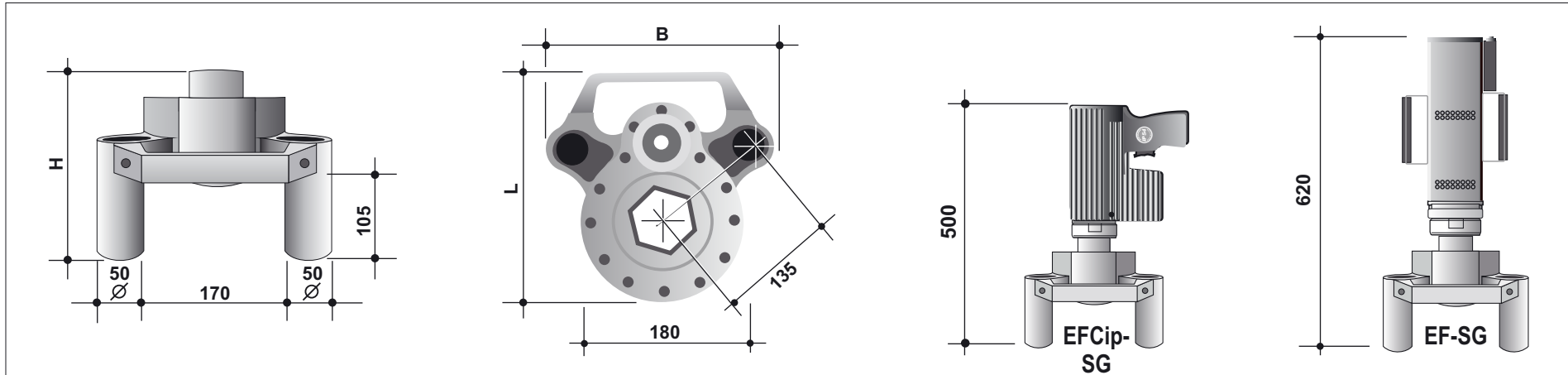


Technical Data

alkitronic® - EFCip-SG / EF-SG



Protection class IP 54 is standard with EFCip-R and optionally available with EF-R

Annotations:

Torque ranges are in accordance with the torque chart.

The following torque ranges are theoretical standard dates based on an aligned tool electronic.

Repeatable accuracy for switch off $\pm 3\%$ for identically soft and hard joints.

Depending on soft and hard joints M_0 deviations are possible.

Series/Type		EFCip-SG 65	EFCip-SG 80	Series/Type		EF-SG 65	EF-SG 80
Torque range approx.*	Nm	560-3780	560-3780	Torque range approx.*	Nm	560-3780	560-3780
Height H	mm	225	225	Height H	mm	225	225
Width B	mm	270	270	Width B	mm	270	270
Length L	mm	260	260	Length L	mm	260	260
Weight approx.	kg	18,5	18,5	Weight approx.	kg	22,5	22,5
Ratio	i	1:3,77	1:3,77	Ratio	i	1:3,77	1:3,77

Suitable for all international electric networks (100-253V / 45-66Hz), upon constant torque exactness!

* **Attention:** Loosening torque of bolt might be up to 20% higher. Take care to secure and stable the reaction support.

Subject to change without prior notice / E & OE / Figures can differ depending on type.