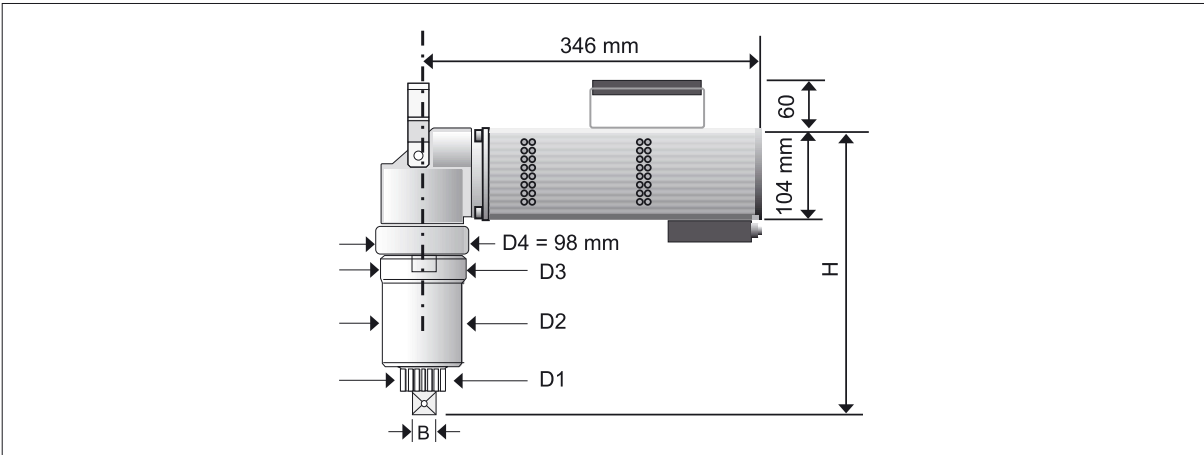


# Technical Data

## alkitronic® - EFW / EFWplus



Protection Class IP 54 optionally available

**Annotations:**

Torque ranges are in accordance with the torque chart.

The following torque ranges are theoretical standard dates based on an aligned tool electronic.

Repeatable accuracy for switch off  $\pm 3\%$  for identically soft and hard joints.

Depending on soft and hard joints  $M_0$  deviations are possible.

Series EFW.. / EFW.. plus	Type	EFW.. 100	EFW.. 200	EFW.. 250	EFW.. 300	EFW.. 400	EFW.. 600	EFW.. 800	EFW.. 1000	EFW.. 2000	EFW.. 4000
Torque range approx.*	Nm	160-1080	300-2100	435-2695	500-3100	900-4250	1100-6150	1800-7800	2050-9800	5300-20600	6240-42120
Square drive	B	3/4"	1"	1"	1"	1 1/2"	1 1/2"	1 1/2"	1 1/2"	2 1/2"	2 1/2"
Diameter approx.	D <sub>1</sub> mm	54	54	54	72	72	72	72	91	SW120	SW120
Diameter	D <sub>2</sub> mm	85	85	85	98	98	123	148	173	275	275
Diameter	D <sub>3</sub> mm	88	88	88	88	88	98	148	173	98	130
Height	H mm	285	285	285	305	320	350	350	380	440	440
Weight without support approx.	kg	13,6	13,6	13,6	13,6	15,8	19,8	23,8	29	61,7	62
Idle speed approx.	rmin <sup>-1</sup>	33	16	14	12	8	7	4	3	1	0,6

\* Attention: Loosening torque of bolt might be up to 20% higher. Take care to secure and stable the reaction support.

Subject to change without prior notice / E & OE / Figures can differ depending on type.



alki-Technik GmbH  
Unterlettenweg 4  
D-85051 Ingolstadt

Tel.: +49 841 97499-0  
info@alkitechnik.de  
www.alkitechnik.de